

CONTENTS

1	Introduction	3
1.1	General Safety Instructions	4
1.2	Grounding Instructions	5
1.3	Ergonomic and Health Warnings	6
1.4	Liability Disclaimer	6
2	Technical Details	7
2.1	Cockpit Compatibility	7
2.2	Content of the Package	7
2.3	Technical Data	8
2.4	Limitations	8
2.5	Built-in Power Supply Specification	8
2.6	Dimensions	9
2.7	Various Pitch	10
3	Installation	13
3.1	Components	13
3.2	Pivot Bar Assembly	14
3.3	Foot Assembly and Installation	15
3.4	Motion Platform Installation Options	17
3.5	Installation in F-GT Elite and GT Elite	18
3.6	Installation in GTtrack and GTseat Add-On	30
3.7	Installation using 3rd party hardware	34
3.8	Ferrite Core Installation	35
3.9	Connecting to PC and Software Installation	35
4	Device Configuration	36
5	Maintenance	38
6	Conformity Information	38
7	Environmental Impact and Disposal	38
8	Warranty	39
9	Troubleshooting and Support	39
10	Customer Feedback	40



1 Introduction

Next Level Racing® would like to thank you for choosing the Next Level Racing® Motion Plus Platform, a revolutionary product developed in cooperation with leading motion physics researchers, simulation experts, software engineers, professional drivers, and pilots to close the gap between virtual and reality. Our motion platform has been designed to deliver the most physically accurate, realistic, and immersive experience with click and play software. With world-class customer service, we are here to support you along the way. If you have any questions regarding your product, email us at support@nextlevelracing.com.

WARNING

The Next Level Racing® Motion Plus Platform is not intended for use by children under 16 years of age. Close supervision and safety instruction is necessary when this product is used by or near children or persons with reduced physical, sensory, or mental capabilities. Keep the packaging away from small children as it poses a suffocation risk.

WARNING

Do not use if you are pregnant.

Notice: The platform may interfere with nearby sensitive radio-television appliances.



1.1 General Safety Instructions

WARNING

Read all safety instructions before installing and using this product. Save this document for future reference. If you transfer ownership of this product, be sure to include the instructions.

To reduce the risk of burns, fire, electrical shock, or injury:

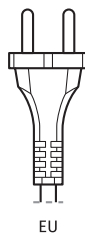
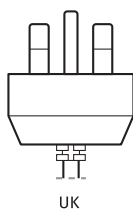
- Use the platform for its intended use only, according to the instructions.
- Always turn all switches off and unplug the platform from the electrical outlet before hardware installation, maintenance, servicing, or repairs. Hazardous voltages may still be present in the power supply even several minutes after it has been turned off.
- Indoor use only - do not store or use the product outdoors.
- Keep the platform away from heat sources, high humidity, water, and other liquids. Do not store in a very cold space where condensation may occur.
- Keep all component guards and shields in place and do not touch the internal components when the platform is powered on.
- Do not disassemble the product. Any tampering with or altering the product will void the warranty, poses a serious risk of electric shock, and may irreparably damage the product.
- Do not cover the vents.
- Keep the power cord plug and the socket clean and dust-free.
- Protect the power cord from damage by being stepped on, rubbed against, or pinched.
- Do not use the platform if the ambient temperature is below 4° Celsius/39°F or above 45° Celsius/113°F.
- Do not use the platform and contact technical support at **support@nextlevelracing.com** if it has been damaged, or any component is broken or missing.
- Stop using the platform immediately and contact technical support at **support@nextlevelracing.com** if you notice or smell smoke, hear unusual noise, or otherwise suspect that it is not working properly.
- Do not use attachments or replacement parts not recommended or approved by the manufacturer. Do not replace the power cables provided with the product. Use certified power and USB cables only.
- Connect the platform to a properly grounded outlet only, paying attention to the polarity of the socket. See grounding instructions.
- Turn the platform off when not in use.
- Unplug the platform from the power source if not used for an extended period

of time or during a lightning storm.

- Any warranty and non-warranty repairs must be performed by the distributor's service department or a specialized servicing contractor authorized by the manufacturer.
- Before using the platform, inspect its environment (surroundings).
- Keep children away from the operating platform!
- Secure the platform, especially when using VR headset or headphones to avoid uncontrollable access by children and/or animals e.g. by closing the door to the room.
- Getting children near (close to) the operating platform is particularly dangerous.
- Never put your hands into the slots (space) in which the platform's components move.

1.2 Grounding Instructions

In the event of a system malfunction or breakdown, grounding provides a path of the least resistance for electric current to reduce the risk of electric shock. The platform is equipped with an electric cord having an equipment-grounding conductor and a grounding plug. The plug must be plugged into a matching outlet that is properly installed and grounded in accordance with all local codes and ordinances. Do not modify the plug provided - if it does not fit the outlet, contact technical support at support@nextlevelracing.com.



1.3 Ergonomic and Health Warnings

The safety and comfort of our customers is our top priority. It may be tempting to keep using the platform for extended periods of time, but please use your best judgment when allocating time to spend with this product.

WARNING

By its nature, the Next Level Racing® Motion Plus Platform can perform forceful, rapid movements. We have made every effort to protect users and bystanders from injury due to mechanical parts movement and electrical connectivity. As with any mechanical device, the user is responsible for inspecting the condition of the machine prior to use and adhering to safe operating procedures.

Repetitive motion, force feedback vibrations, and/or continuous muscle tension may lead to injuries if the platform is used for extended periods of time. To avoid it:

- Keep the total time you spend using the product within reasonable limits.
- Take at least 10-minute rest break for every hour of using the platform to stretch out.
- Use correct posture that feels comfortable.
- Try to alternate experiences: switch between games that offer varied sensations.

If you are under a doctor's care for any muscle or joint condition, or if you think you may have any such condition, please consult your physician before using the platform. Stop using the platform immediately if you start feeling pain or if you experience any dizziness or nausea. Do not use if you are pregnant.

1.4 Liability Disclaimer

DISCLAIMER

Next Level Racing®, Motion Systems, and their partners are not liable and shall not be held responsible for any injury, death, loss, expense, or damage suffered or incurred by any person using the platform if it is the result of improper assembly, abuse, misuse, modification, tampering or applying components not shipped with the product.

2 Technical Details

TIP

Please be sure to take note of your serial number before installation as you require this to download your software.

The Next Level Racing® Motion Plus Platform is suitable for indoor use only. It is intended for personal use, but it may be suitable for certain commercial applications. Please contact us at support@nextlevelracing.com if you are looking to use the platform for your business.

2.1 Cockpit Compatibility

The Next Level Racing® Motion Plus Platform is designed specifically for the Next Level Racing® GTTrack, Next Level Racing® GTseat Add-On (combined with a compatible Wheel Stand to make full Cockpit), Next Level Racing® F-GT Elite and Next Level Racing® GT Elite cockpits, but it can be adapted to other cockpits. For certain brands of cockpits, we provide adapter plates - for other cockpits, custom assembly might be required.

2.2 Content of the Package

- 1x Motion unit
- 1x Foot
- 1x Pivot bar
- Power and USB cables
- Ferrite core for power cable
- Set of nuts, bolts and washers
- Product manual

2.3 Technical Data

- Power source: 4A/115VAC/60Hz, 2A/230VAC/50Hz
- Rated power: 321W
- Protection Class: I
- Maximum cockpit weight (including accessories and user):
 - single motion unit configuration (with pivot bar): 250 kg
 - dual motion units configuration: 250 kg
- Unit dimensions (with foot attached): 700 x 182 x 222 mm
- Unit weight (without pivot bar): 18.5kg (41 lbs)
- Pivot bar weight: 3.2 kg (7 lbs)
- Maximum USB cable length: 2m
- Maximum power cable length: 2m

2.4 Limitations

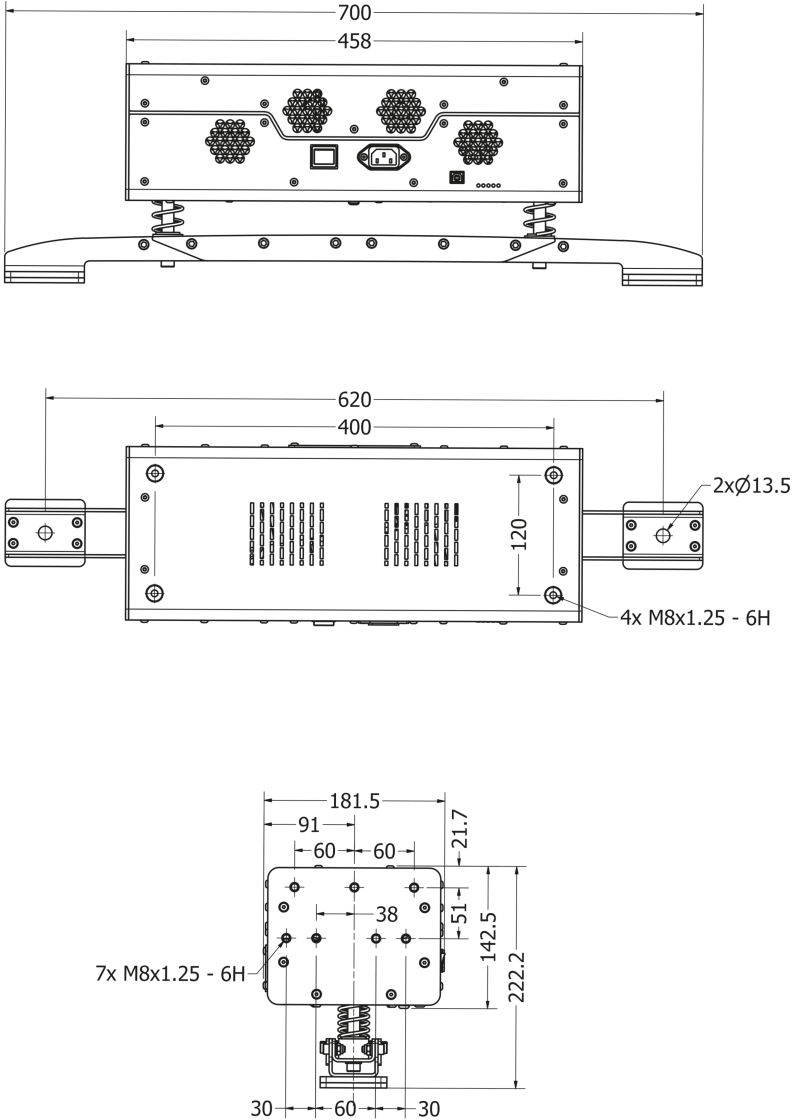
- No vibration generating devices (except tactile transducers) can be attached to the top frame.
- Maximum allowable total weight of all tactile transducer attached to the top frame: 9.2 kg (20.0 lbs)
- The top frame movements cannot be limited by any obstacles.

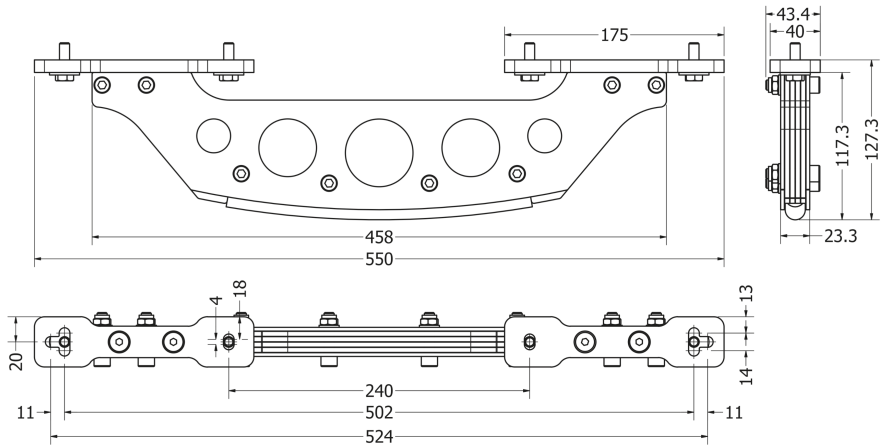
2.5 Built-in Power Supply Specification

- Active PFC function, PF > 0.95
- Protections: short circuit, overload, over voltage, over temperature
- Safety standards: UL60950-1, TUV EN60950-1, EAC TP TC 004, CCC GB4943.1, BSMI CNS14336-1, AS/ NZS 60950.1
- Withstand voltage: I/P-O/P:3KVAC, I/P-FG:1.5KVAC, O/P-FG:0.5KVAC
- Isolate resistance: I/P-O/P, I/P-FG, O/P-FG: 100MOhms/500VDC/25C/70% RH
- EMC emission: Compliance to EN55032 (CISPR32) Class B, EN61000-3-2,-3, EAC TP TC 020, CNS13438, GB9254 Class B, GB17625.1
- EMC immunity: Compliance to EN61000-4-2,3,4,5,6,8,11; ENV50204, EN55024, light industry level, criteria A, EAC TP TC 020

2.6 Dimensions

All dimensions are provided in millimeters.





2.7 Various Pitch

Achievable pitch value depends on the distance between the two motion units or between the motion unit and the pivot bar.

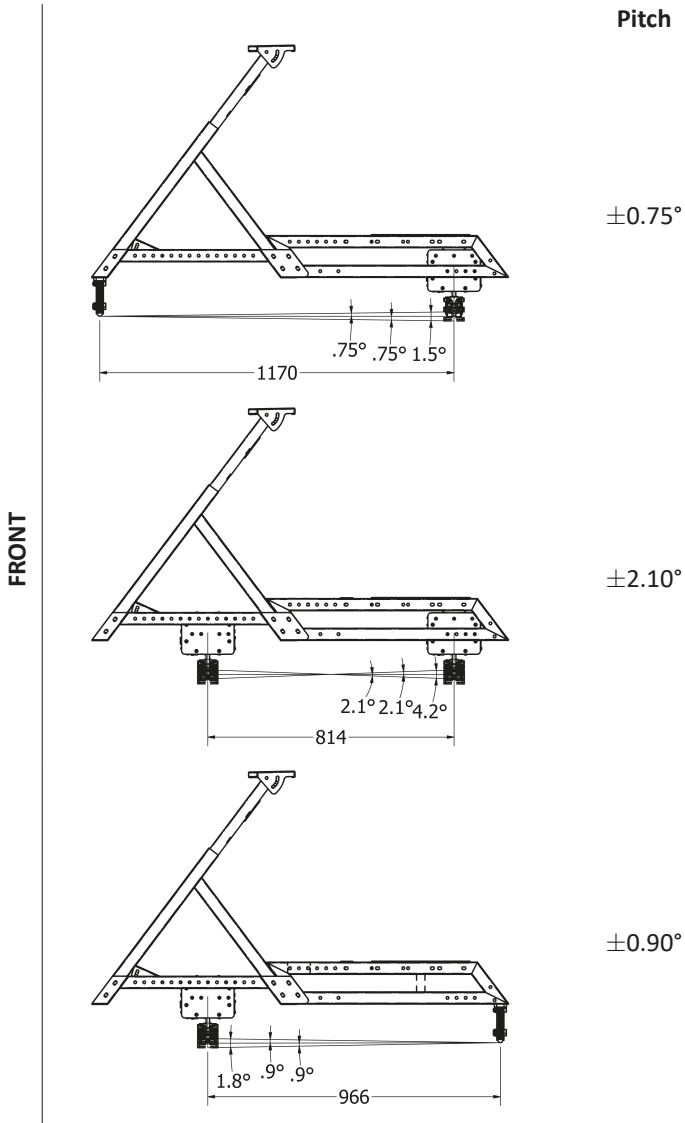
WARNING

Once the motion platform is securely mounted, the distance between motion units has to be measured and entered as a configuration parameter in the platform manager.

TIP

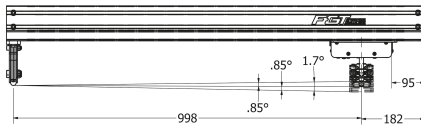
For single motion unit installation, for the best possible immersion, we recommend to install the Next Level Racing® Motion Plus Platform at the front and the pivot bar at the rear.

Next Level Racing® GTtrack



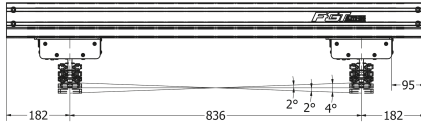
Next Level Racing® F-GT Elite

FRONT

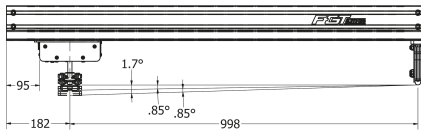


Pitch

$\pm 0.85^\circ$



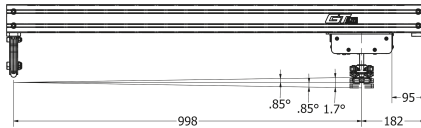
$\pm 2.00^\circ$



$\pm 0.85^\circ$

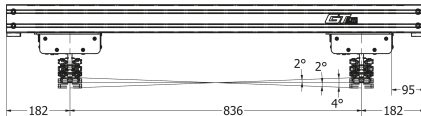
Next Level Racing® GT Elite

FRONT

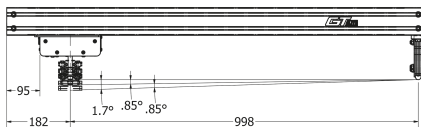


Pitch

$\pm 0.85^\circ$



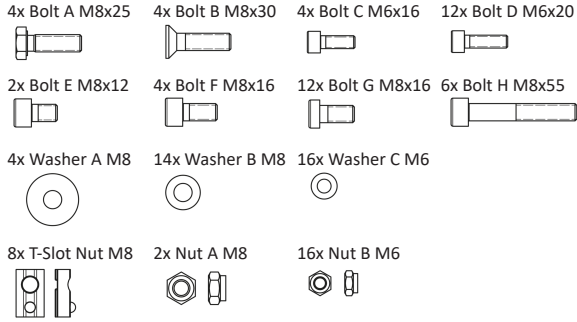
$\pm 2.00^\circ$



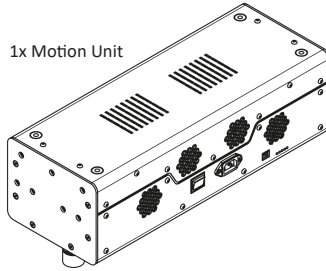
$\pm 0.85^\circ$

3 Installation

3.1 Components



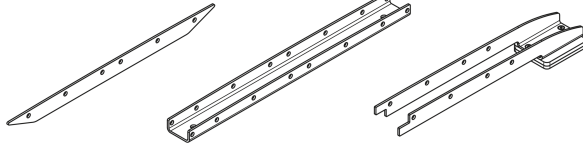
1x Motion Unit



2x Foot Side Plate

1x Foot "C" Bracket

2x Foot Main Bracket

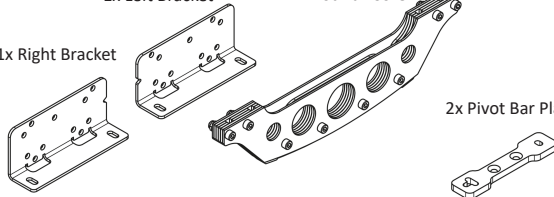


1x Left Bracket

1x Pivot Bar Core

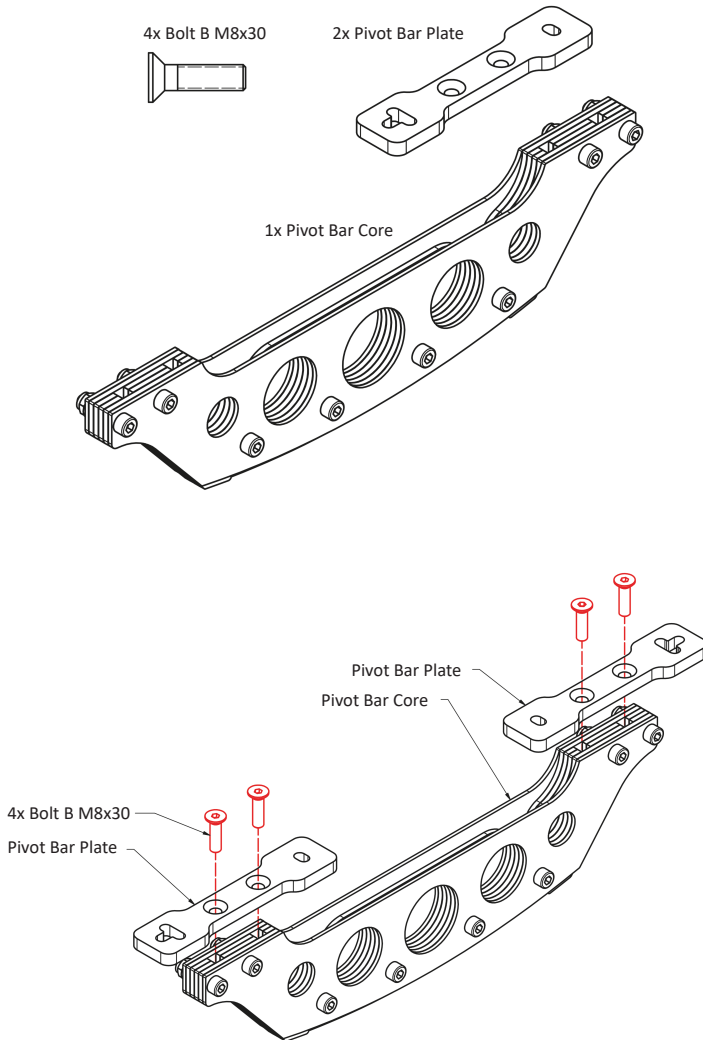
1x Right Bracket

2x Pivot Bar Plate



3.2 Pivot Bar Assembly

Pivot bar is used to stabilize the cockpit in single motion unit installation. It can be installed at the front or at the rear, depending on your preferences. This component comes in 3 pieces that need to be assembled together before the pivot bar can be installed to the cockpit.



3.3 Foot Assembly and Installation

The foot is used to stabilize the motion platform operation during extreme roll angles. After all pieces are assembled together, the foot is attached directly to the motion unit.

4x Bolt C M6x16



12x Bolt D M6x20



2x Bolt E M8x12



16x Nut B M6



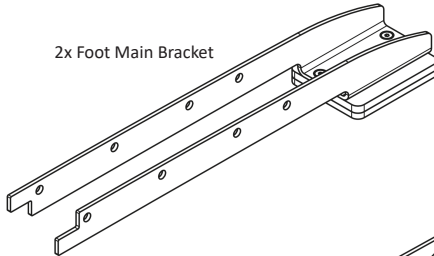
16x Washer C M6



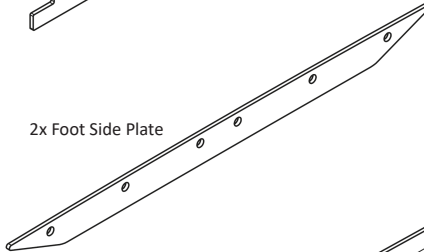
2x Washer B M8



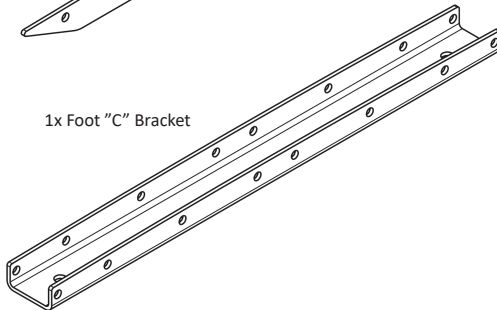
2x Foot Main Bracket

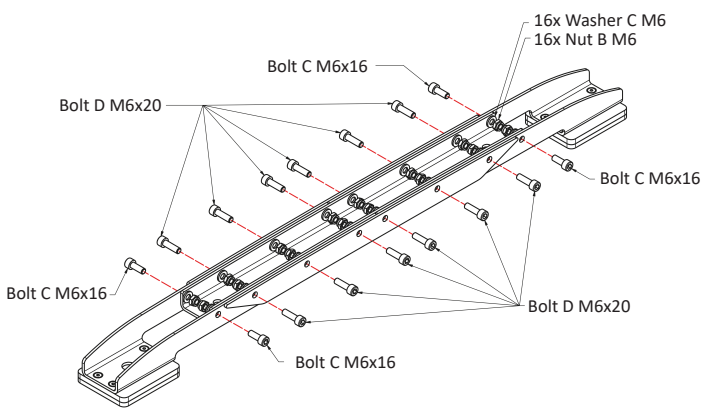
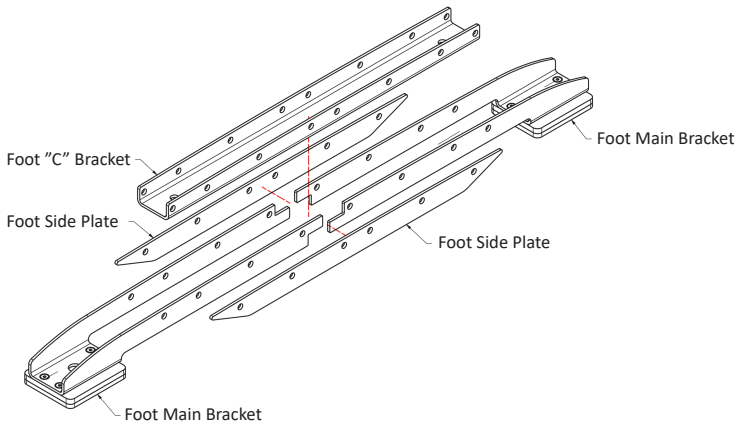


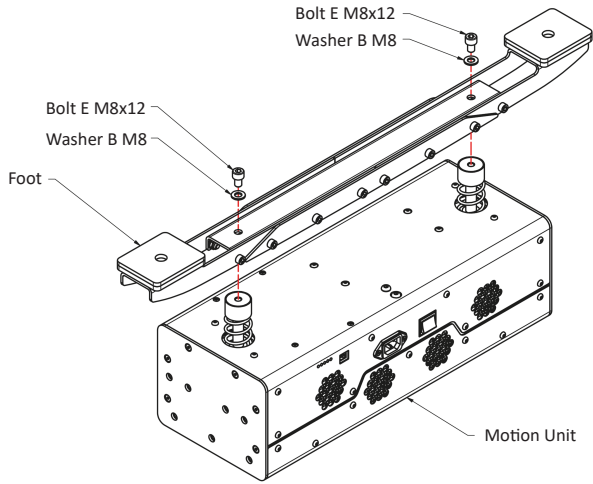
2x Foot Side Plate



1x Foot "C" Bracket

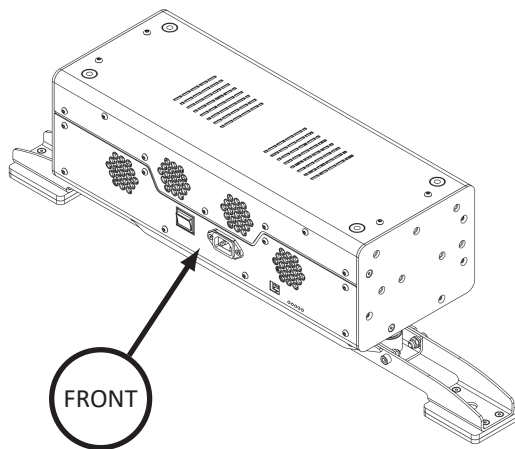






3.4 Motion Platform Installation Options

For single motion unit configuration, it is recommended to install **the motion unit at the front** of the cockpit and **the pivot bar at the rear**. Power socket, USB socket and power switch must always point forward (toward the display/TV). Reversed (180°) motion platform installation is not supported.



3.5 Installation in F-GT Elite and GT Elite

4x Bolt F M8x16



12x Bolt G M8x16



4x Washer B M8



8x T-Slot Nut M8



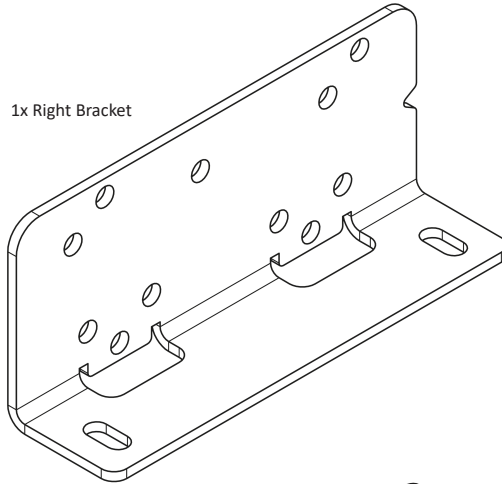
4x Bolt A M8x25



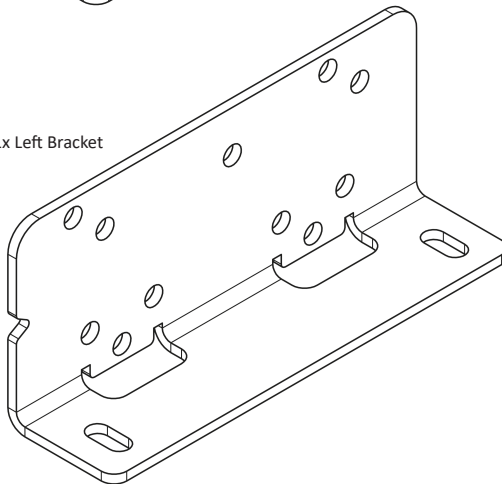
4x Washer A M8



1x Right Bracket

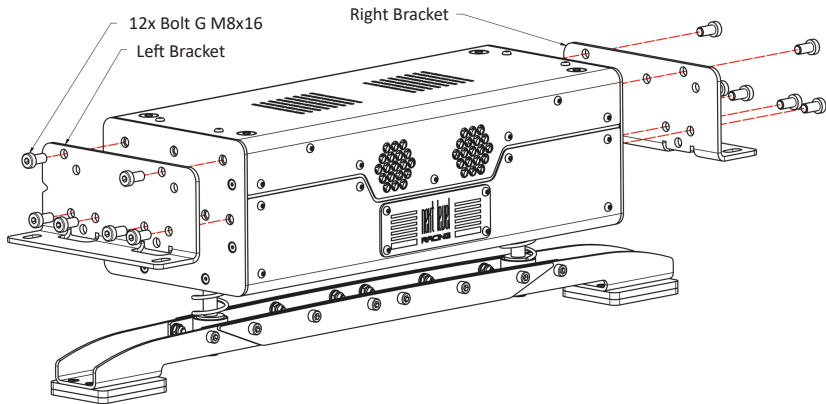


1x Left Bracket

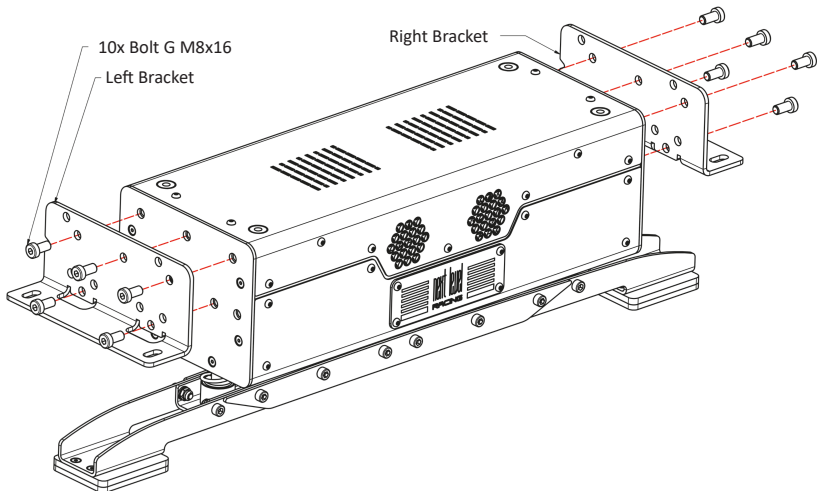


Installation of the Next Level Racing® Motion Plus Platform in Next Level Racing® F-GT Elite and Next Level Racing® GT-Elite cockpits is very similar. The only difference is the height at which the brackets are installed to the motion unit. Different holes are used for different cockpits. Notch in the bracket indicates "front".

Next Level Racing® F-GT Elite



Next Level Racing® GT Elite



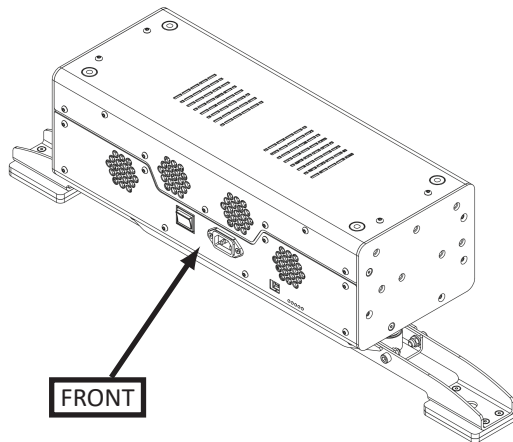
Motion Unit at the Front

TIP

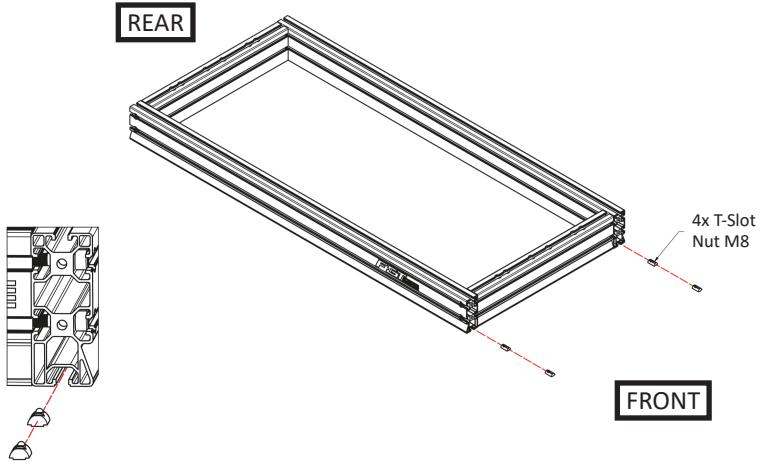
This section shows how to install the motion platform to Next Level Racing® F-GT Elite and Next Level Racing® GT Elite at the front and the pivot bar at the rear. Another supported configuration is when the motion platform is installed at the rear and the pivot bar at the front. We suggest to try both configurations to find which one works the best for you.

WARNING

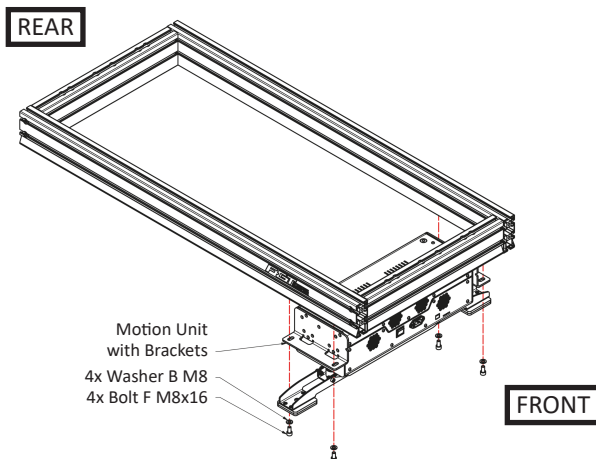
Power socket, USB socket and power switch must always point forward (toward the display/TV). Reversed (180°) motion platform installation is not supported.



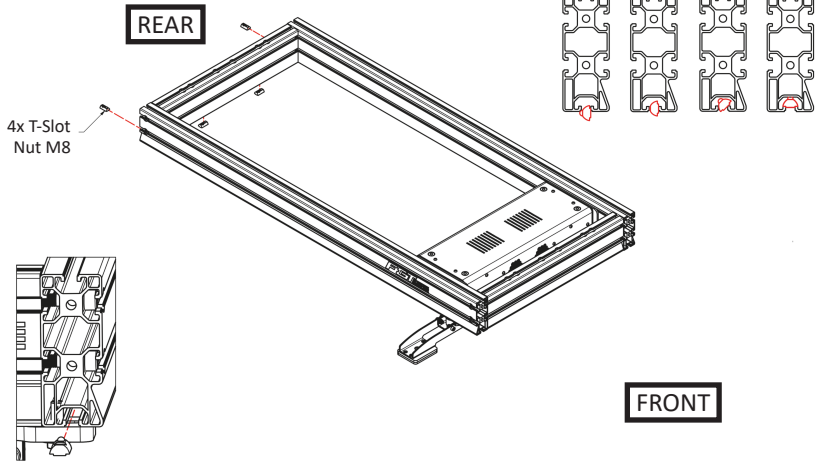
Slide in T-Slot Nuts at the front.



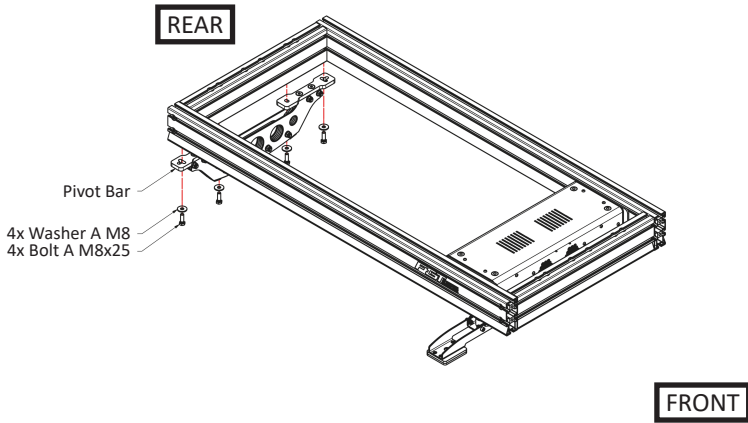
Install the motion unit.



Slide in T-Slot Nuts at the rear.



Install the pivot bar.



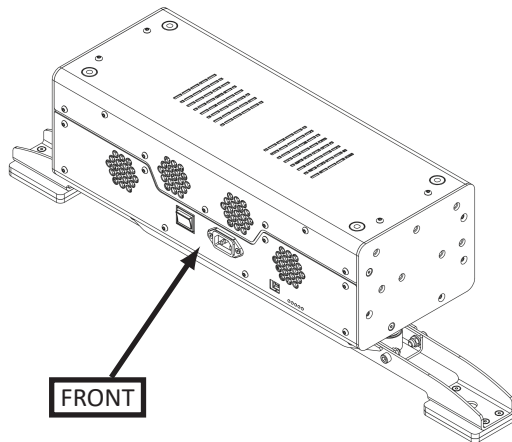
Motion Unit at the Rear

TIP

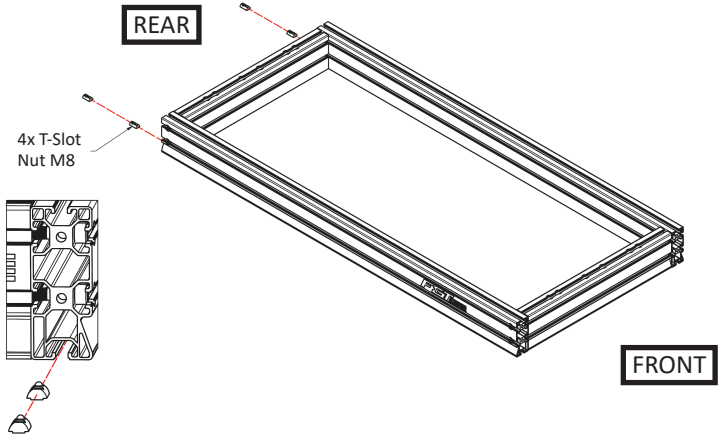
This section shows how to install the motion platform to Next Level Racing® F-GT Elite and Next Level Racing® GT Elite at the rear and the pivot bar at the front. Another supported configuration is when the motion platform is installed at the front and the pivot bar at the rear. We suggest to try both configurations to find which one works the best for you.

WARNING

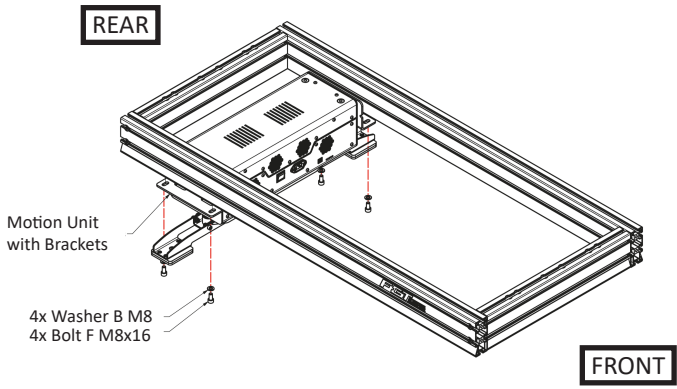
Power socket, USB socket and power switch must always point forward (toward the display/TV). Reversed (180°) motion platform installation is not supported.



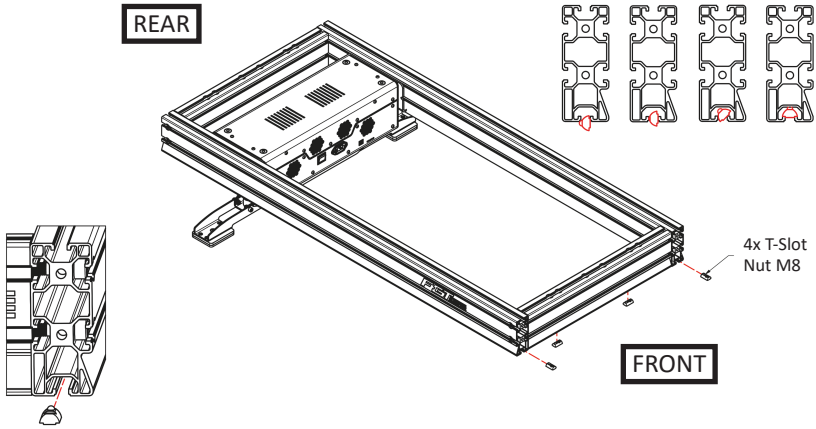
Slide in T-Slot Nuts at the rear.



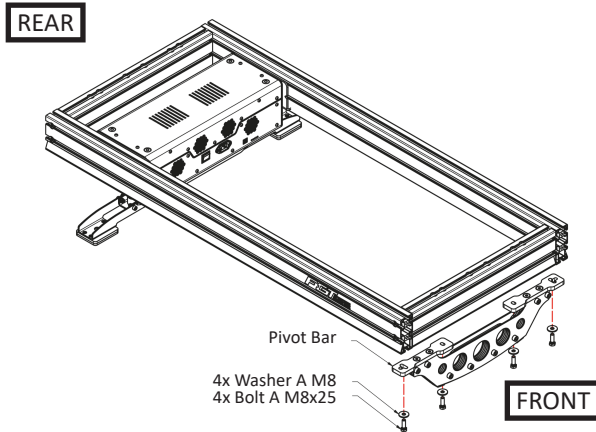
Install the motion unit.



Slide in T-Slot Nuts at the front.

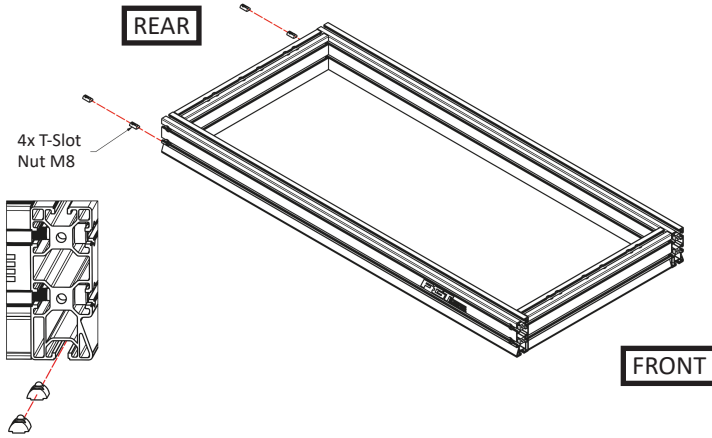


Install the pivot bar.

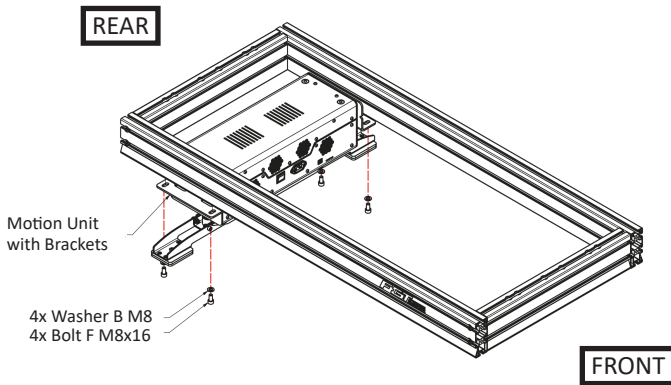


Dual Motion Units Configuration

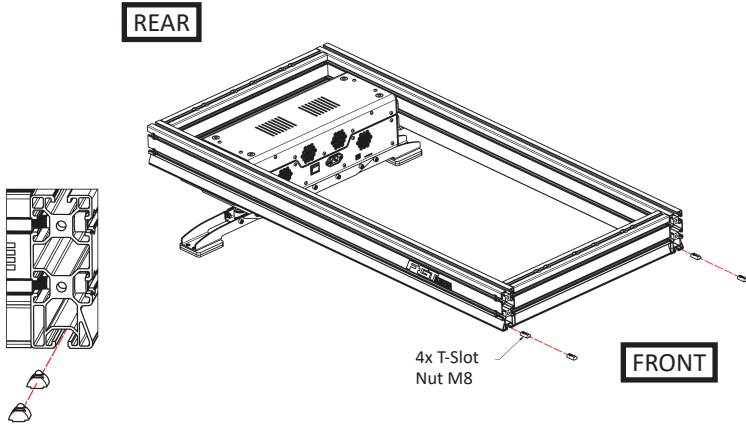
Slide in T-Slot Nuts at the rear.



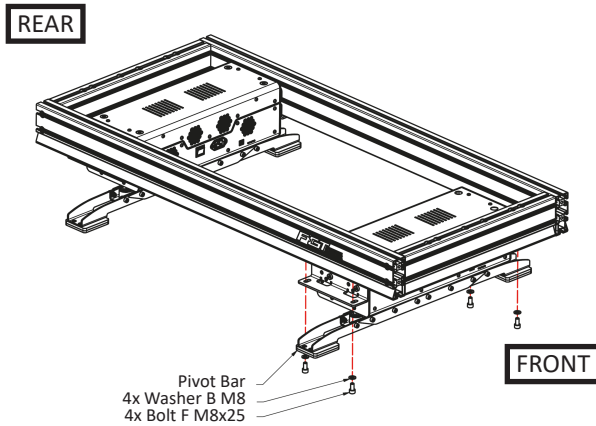
Install the motion unit at the rear.



Slide in T-Slot Nuts at the front.



Install the motion unit at the front.



Motion Plus Platform + Motion Platform V3

Next Level Racing® Motion Plus Platform and Next Level Racing® Motion Platform V3 can work together as a single motion platform. It is possible to combine 1x or 2x Next Level Racing® Motion Plus Platform with Next Level Racing® Motion Platform V3.

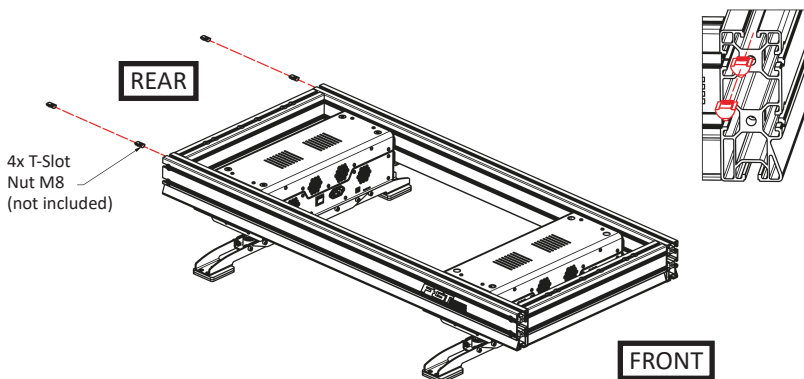
1. If the Next Level Racing® Motion Plus Platform is installed at the **front** - Next Level Racing® Motion Platform V3 can be installed at its default location.
2. If the Next Level Racing® Motion Plus Platform is installed at the **rear** - Next Level Racing® GTultimate adapters should be used to attach Next Level Racing® Motion Platform V3 to the cockpit.
3. If the 2x Next Level Racing® Motion Plus Platform are installed - Next Level Racing® GTultimate adapters should be used to attach Next Level Racing® Motion Platform V3 to the cockpit.

For case no. 1, follow Next Level Racing® F-GT Elite and Next Level Racing® GT Elite user manual to install Next Level Racing® Motion Platform V3 at its default location. For case no. 2 and 3, check the following instructions.

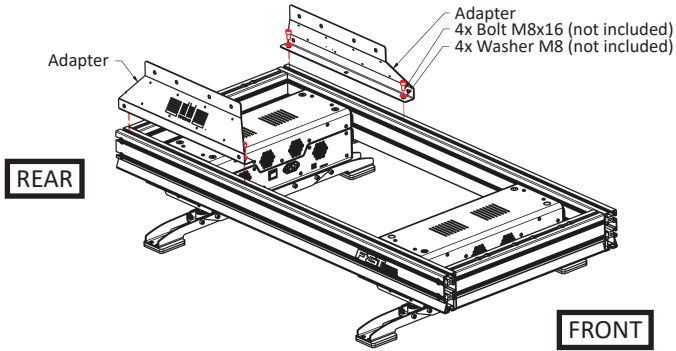
WARNING

Hardware needed to attach Next Level Racing® GTultimate adapters to Next Level Racing® F-GT Elite and Next Level Racing® GT Elite is **NOT** included in the package with Next Level Racing® Motion Plus Platform.

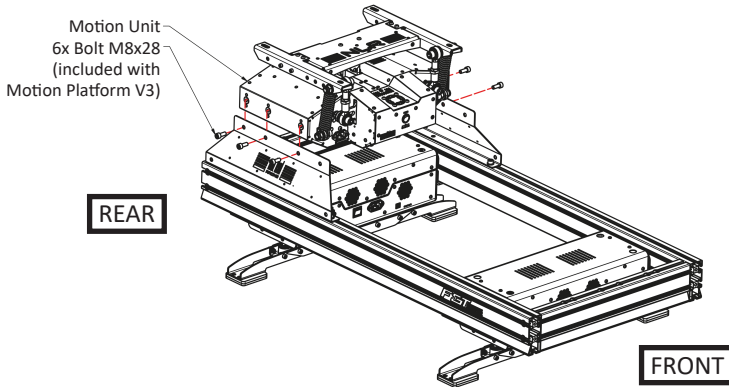
Slide in T-Slot Nuts at the rear.



Attach Next Level Racing® GTultimate adapters to the cockpit.



Install Next Level Racing® Motion Platform V3 using bolts that comes in the box with Next Level Racing® Motion Platform V3.



3.6 Installation in GTtrack and GTseat Add-On

Installation in Next Level Racing® GTtrack cockpit does not require any additional brackets to be attached to the motion unit. The motion platform is bolted directly to the cockpit's frame.

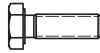
6x Bolt H M8x55



6x Washer B M8



4x Bolt A M8x25



4x Washer A M8



2x Washer B M8

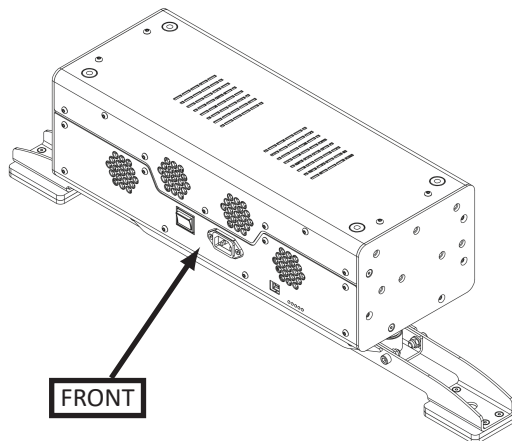


2x Nut A M8



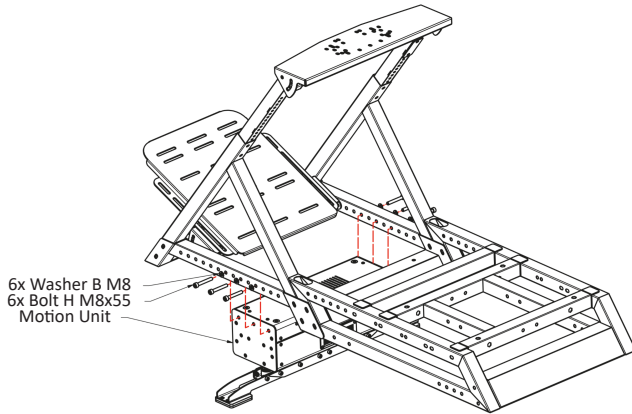
WARNING

Power socket, USB socket and power switch must always point forward (toward the display/TV). Reversed (180°) motion platform installation is not supported.

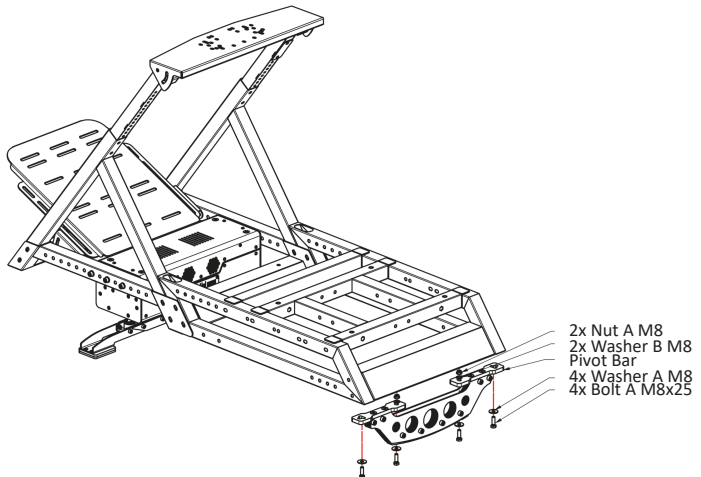


Motion Unit at the Front

Install the motion unit.

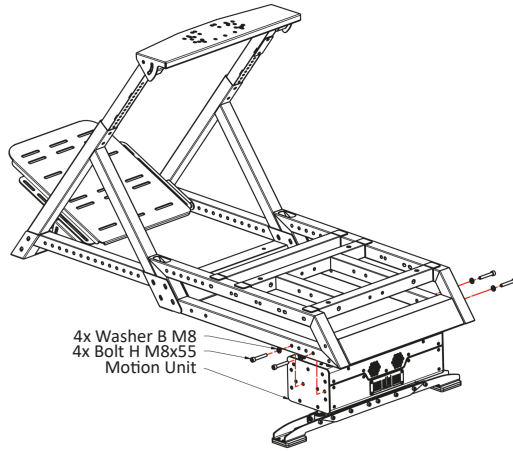


Install the pivot bar.

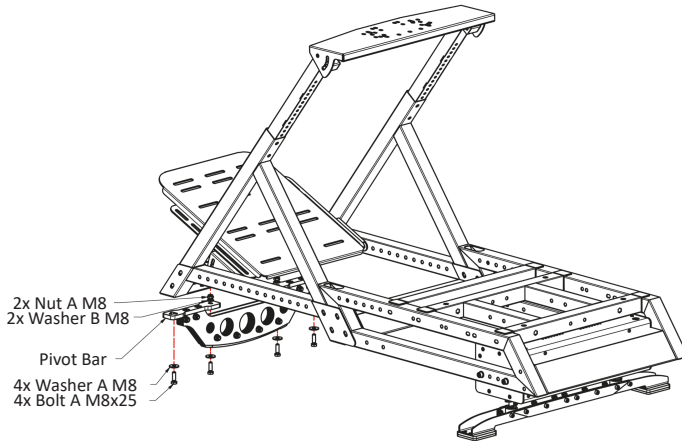


Motion Unit at the Rear

Install the motion unit.

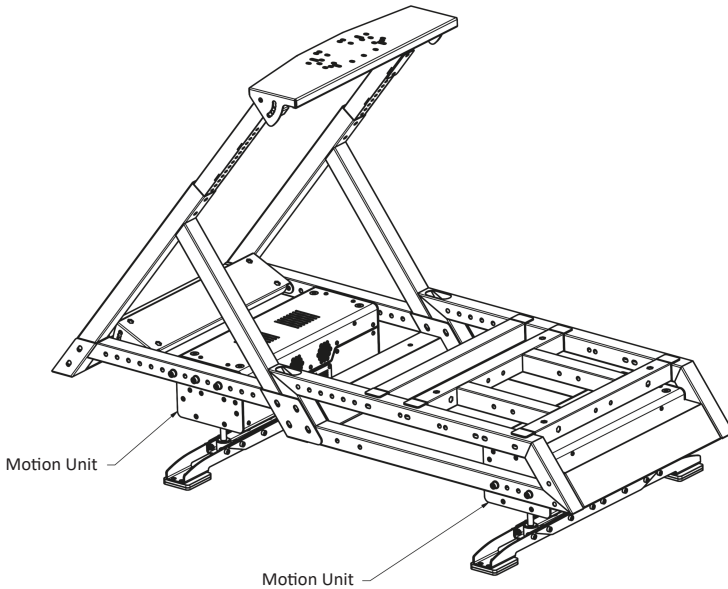


Install the pivot bar.



Dual Motion Units Configuration

Next Level Racing® GTtrack Cockpit supports dual motion units configuration. Refer to previous sections to see how to install the motion units at the front and at the rear.



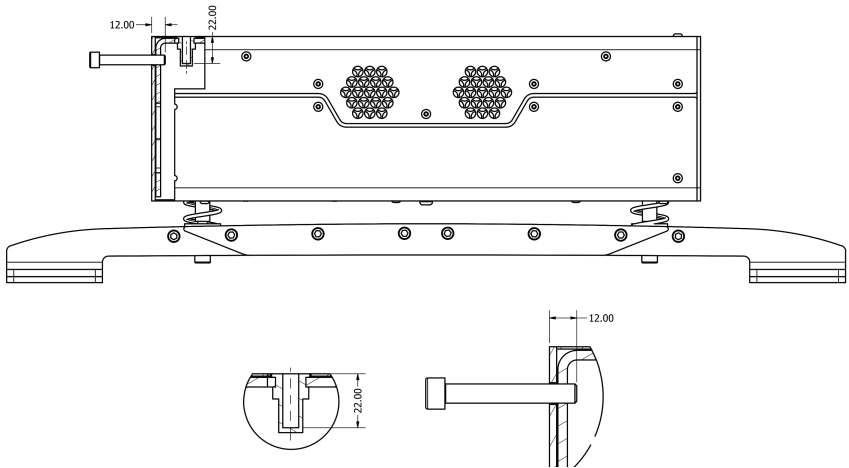
GTseat Add-On

In order to install the Next Level Racing® Motion Plus Platform to the Next Level Racing® GTseat Add-On, a compatible wheel stand is required. Once you combine the Next Level Racing® GTseat Add-On with the appropriate Wheel Stand to complete full Cockpit, please refer to the Next Level Racing® GTtrack installations steps.

3.7 Installation using 3rd party hardware

If the motion unit is installed using 3rd party hardware, it is crucial to select the correct screw lengths based on the thickness of the brackets and the maximum allowable depth. The depth defines how much the screw can go inside the motion unit housing.

- Side wall holes - the maximum depth is 12 mm.
- Top side holes - the maximum depth is 22 mm.

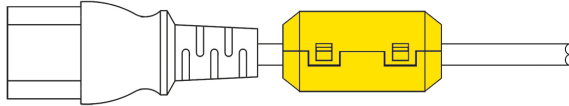


WARNING

Use of screws that go deeper into the motion unit housing than then speci-
fied limit may cause damage to the unit. Such damage is not covered by the
standard warranty.

3.8 Ferrite Core Installation

Once you choose which power cable will be used in your setup, install the attached ferrite core. Make sure to place the core on the power cable as close to the motion platform as possible.



3.9 Connecting to PC and Software Installation

Once the motion platform is securely installed::

1. Plug in the power cord and turn on the motion unit. As soon as it is on, the platform will perform the initial position calibration, moving the cockpit. After a few seconds, the green light will come on, indicating that the unit is ready to use.
2. Connect the platform directly to PC USB port. Using a USB hub is not recommended. The operating system will automatically install the necessary drivers. Be sure to check that the USB and power cords have enough clearance and do not interfere in the operating range of the platform to prevent damaging cords and cables.
3. Visit www.nextlevelracing.com/support-downloads to download and install the software, providing your product's serial number.

4 Device Configuration

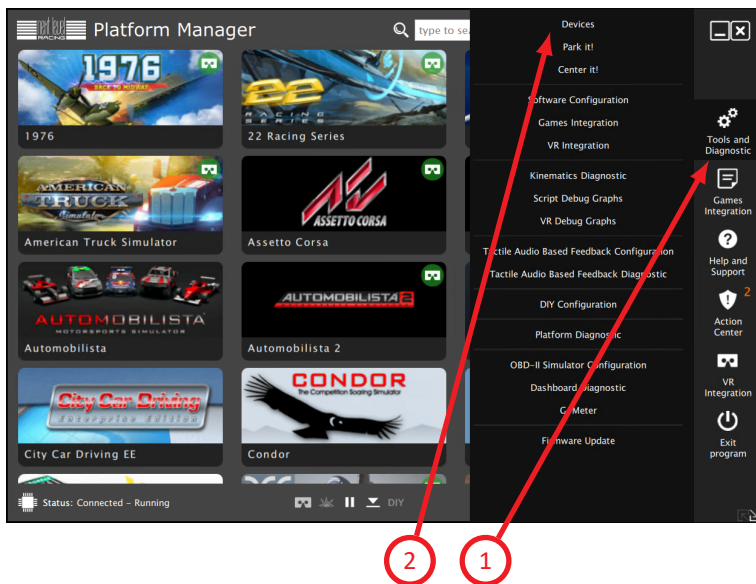
When the Next Level Racing® Motion Plus Platform is connected to PC, the platform manager will detect if there is a new firmware available for the device and advise you to install it. Please follow on screen instructions and install the firmware.

Once the firmware is installed, configuration process has to be performed. There should be an issue displayed in **Action Center** that reminds you about it. Each Next Level Racing® Motion Plus Platform requires two parameters to operate correctly:

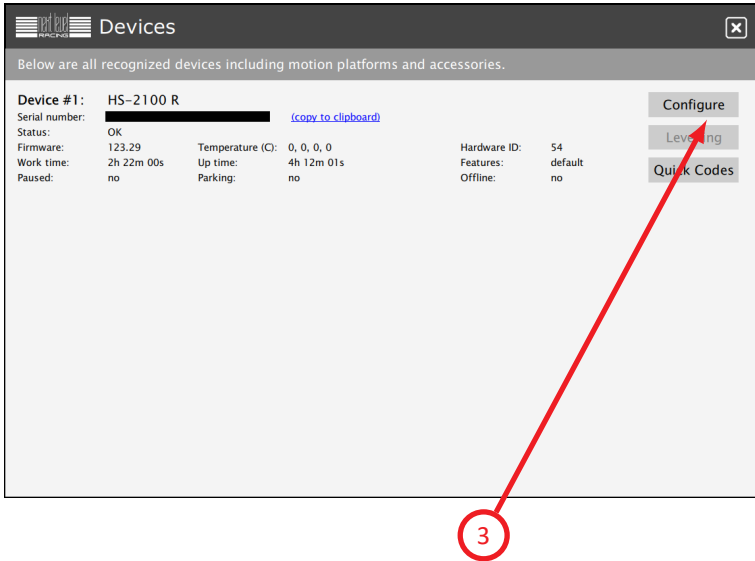
1. Motion unit location under cockpit - front or rear
2. Distance between the motion units or the between motion unit and the pivot bar

For dual motion units configuration, one unit has to be configured as **front** and another as **rear**. Both units must have the same value for distance parameter entered in configuration.

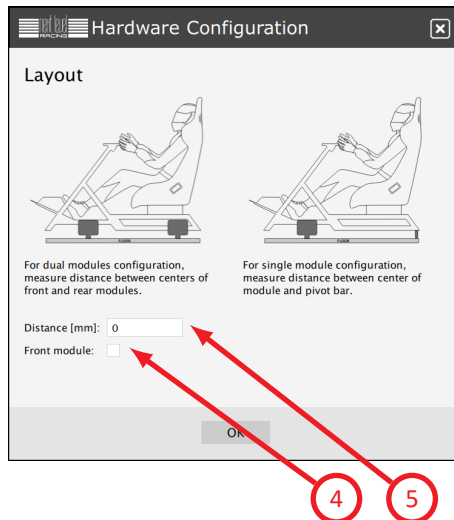
To access configuration at any time, go to **Tools and Diagnostic (1)**, **Devices (2)**.



Then click **Configure** (3).



In new window select if the motion unit acts as front or rear unit (4) and enter the distance between motion units (5).



5 Maintenance

To reduce the risk of fire, keep the platform dust-free. To clean the unit, use a soft, dry cloth. Do not use solvents or cleaners that may corrode or otherwise damage aluminum, steel, or plastic parts of the platform.

No other maintenance is required.

6 Conformity Information



This device meets the basic requirements and other relevant regulations of the EMC Directive 2014/30/EU, the Low Voltage Directive 2014/35/EU, the Machinery Directive 2006/42/EC and the RoHS Directive 2011/65/EU. The Declaration of Conformity can be found on distributor website.

7 Environmental Impact and Disposal



Do not dispose of this product as unsorted municipal waste, use separate collection facilities. Contact your local authority for information regarding the collection systems available. If electrical appliances are disposed of in landfills or dumps, hazardous substances can leak into the groundwater and get into the food chain, damaging your health and well-being. Please contact your local or regional waste authority for more information on collection, reuse and recycling programs.

8 Warranty

This product comes with a 2 years limited warranty, starting on the day of purchase for personal use. For commercial customers, there is a 1 year limited warranty, starting on the date of purchase.

Within the warranty period, the product will be repaired or replaced free of charge, excluding shipping charges. No new warranty period commences if the product is repaired or replaced. Your statutory rights towards the seller are not affected or restricted by this warranty.

This warranty does not cover misuse, unauthorized modifications, and external causes such as acts of nature. This warranty does not cover normal wear and tear or damage to the platform or products in connection with the platform.

Next Level Racing®, Motion Systems, and their partners are not liable for any indirect, incidental, or punitive damages from use of this product.

9 Troubleshooting and Support

Before you contact technical support:

1. Check if all the cables are properly connected.
2. Turn off the PC and the platform, restart, and try again.
3. If your platform suddenly stops responding, this may be a result of thermal protection being activated. Turn it off, let it cool off for at least 15 minutes, and try again.

If you require further assistance, contact technical support at **support@nextlevelracing.com**.

WARNING

Any warranty and non-warranty repairs should be performed by the distributor's service department or a qualified technician, authorized by Next Level Racing®.

10 Customer Feedback

The Next Level Racing® Motion Plus Platform is designed to set a new benchmark in motion simulation. We have used feedback from our customers to drive innovation and continually improve our products. We design and engineer our products purely for the enjoyment of our customers, and that is why we always encourage our customers to send us their comments and suggestions. Let us know about your experience: **support@nextlevelracing.com**.

Software download: **nextlevelracing.com/support-downloads**

